

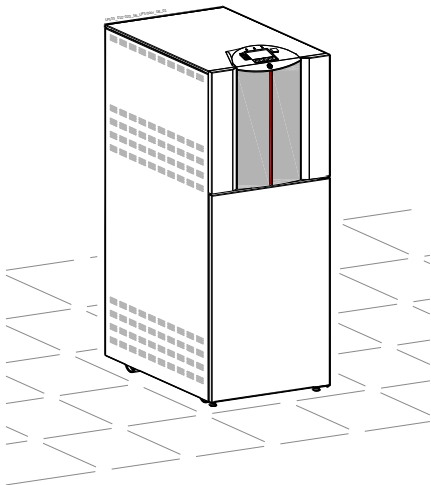
GE
Digital Energy

Technical Data Sheet

Uninterruptible Power Supply

LP33 Series 10 & 20

10 & 20kVA / 400Vac CE / S6



GE Consumer & Industrial SA

General Electric Company
CH - 6595 Riazzino (Locarno)
Switzerland
T +41 (0)91 / 850 51 51
F +41 (0)91 / 850 52 52

www.gepowerquality.com



imagination at work

CE

Certified
Quality System

ISO 9001

Model: **LP33 Series 10 & 20 CE S6**

Issued by: Product Document Department – Riazzino - CH

Approved by: R & D Department – Riazzino - CH

Date of issue: 01.07.2012

File name: GE_UPS_TDS_LPS_33E_10K_20K_6GB_V010

Revision: 1.0

Identification No.:

Up-dating		
Revision	Concern	Date

COPYRIGHT © 2012 by GE Consumer & Industrial SA

All rights reserved.

The information contained in this publication is intended solely for the purposes indicated.

The present publication and any other documentation supplied with the UPS system is not to be reproduced, either in part or in its entirety, without the prior written consent of *GE Digital Energy*.

The illustrations and plans describing the equipment are intended as general reference only and are not necessarily complete in every detail.

The content of this publication may be subject to modification without prior notice.

GENERAL DATA

Topology	VFI-SS-111, double conversion		
Output power	kVA	10	20
Output nominal power factor (lag.)		1.0	1.0
Max. active power at nominal operating conditions	kW	10	20
Overall efficiency at 100% load in VFI mode	%	92.0	92.4
Overall efficiency at 100% load in ECO mode	%	98.2	98.6
Heat dissipation at 100% load in VFI mode, PF=0.8 lag. and charged battery	kW	0.87	1.65
Cooling air (25°C ÷ 30°C)	m³/h	260	490
Audible noise level	dB(A)	53	53
Battery type	Valve regulated lead-acid (VRLA)		
Operating temperature range	UPS: 0°C ÷ 40°C (nominal 25°C) Battery: 20°C ÷ 25°C recommended		
Storage temperature range	-25°C ÷ +55°C (higher the temperature, shorter the storage time of the battery)		
Storage time of the battery without recharge at 20°C	Max. 6 months		
Relative humidity	Max. 95% (non-condensing)		
Max. altitude without power derating	1000m		
Power derating (according to EN/IEC 62040-3)	1500m: -2.5% / 2000m: -5% / 2500m: -7.5% / 3000m: -10%		
Protection degree	IP 20 (IEC 60529)		
Standards	EN 50091 / EN/IEC 62040, CE marking		
EMC	EN 50091-2 / EN/IEC 62040-2 Class A		
Electrostatic discharge immunity	4kV contact / 8kV air discharge		
Internal protection	All live parts shrouded		
Enclosure	Metal sheet and castors		
Transport	Cabinet suitable for handling by forklift		
Colour	RAL 9003 (white)		
Installation	Minimum distance from the wall 5 cm		
External cable connections	Bottom left		
Cooling	Forced from bottom side to left upper side by internal blower		
Paralleling (RPA version)	Up to 4 units parallelable for redundancy or capacity in RPA configuration (optional)		

RECTIFIER

Rectifier bridge	Three phase, overtemperature protection		
Standard input voltage	Nominal: 3 x 380V / 400V / 415V + N Rectifier accepted ph-ph voltage range: 323V ÷ 460V (ph-N 186V ÷ 265V)		
Input frequency	50/60Hz +/-10% (45 ÷ 66 Hz)		
Input power factor	>0.98 lag.		
Input current distortion (THD)	<8%		
Output voltage tolerance	+/- 1%		
Battery ripple current	<40 mA (pk-pk)		
Battery charging characteristic	IU (DIN 41773), T° compensated floating voltage		
Battery charging current limit	Selectable: 1.4A, 2.8A, 4.2A (option up to 8.4A)		
Input power data	kVA	10	20
Input power at inverter nominal load, PF=1.0 and charged battery	kW	10.9	21.6
Max. input power at inverter nominal load and max. battery charging current (default setting)	kW	11.6	23.1
Max. battery charging current (default setting)	A	1.4	2.8

BATTERY

Battery type	Valve regulated lead-acid (VRLA)		
Number of blocks mounted inside the UPS cabinet (12V / 7Ah)	10kVA: 40 (2x20)	20kVA: 80 (2x2x20)	
Float voltage at 20°C	2 x 273 Vdc		
Min. discharge voltage	2 x 198 Vdc (1.65 V/cell)		
Recharge time	6 ÷ 8 hours		
Automatic and manual battery test	Standard		
Battery power data	kVA	10	20
DC power at full load and PF=0.8 lag.	kW	8.8	17.5
Standard autonomy time at 100% load and PF=0.8 lag.	Min.	10	10
Standard autonomy time at 50% load and PF=0.8 lag.	Min.	26	26
Battery autonomy time at 100% load and PF=0.8 lag., only with High Rate Battery.			
Matching battery cabinets	See optional features on page 6		

INVERTER

Nominal output power	10 & 20 kVA at PF=0.6÷1.0 lag.		
Nominal output voltage (on site programmable)	3 x 380V / 400V / 415V + N		
Inverter bridge	IGBT technology		
Output waveform	Sine wave		
Output voltage tolerance:			
- static	+/- 1%		
- dynamic (at load step 0 - 100 - 0%)	+/- 3%		
- dynamic (at load step 0 - 50 - 0%)	+/- 2%		
- recovery time to +/-1%	20 ms		
- output voltage THD for 100% linear load	<2%		
- output voltage THD for 100% non-linear load (EN 62040)	<3%		
Output voltage tolerance at 100% unbalanced load (Ph-N)	+/- 3%		
Output frequency	50/60 Hz (selectable)		
Output frequency tolerance:			
- free-running	+/- 0.1%		
- with mains synchronisation adjustable to	+/- 4%		
Phase displacement:			
- at 100% balanced load	120°: +/- 1%		
- at 100% unbalanced load	120°: +/- 2%		
Overload capability (at PF=0.8)	125% - 10 minutes, 150% - 1 minute		
Short-circuit characteristic	Electronic short-circuit protection, current limit to 2.2 times In for 100 ms		
MTCB clearance capability (selectivity)	20% In within 5-10 ms (with MTCB class C)		
Crest factor	>3:1		

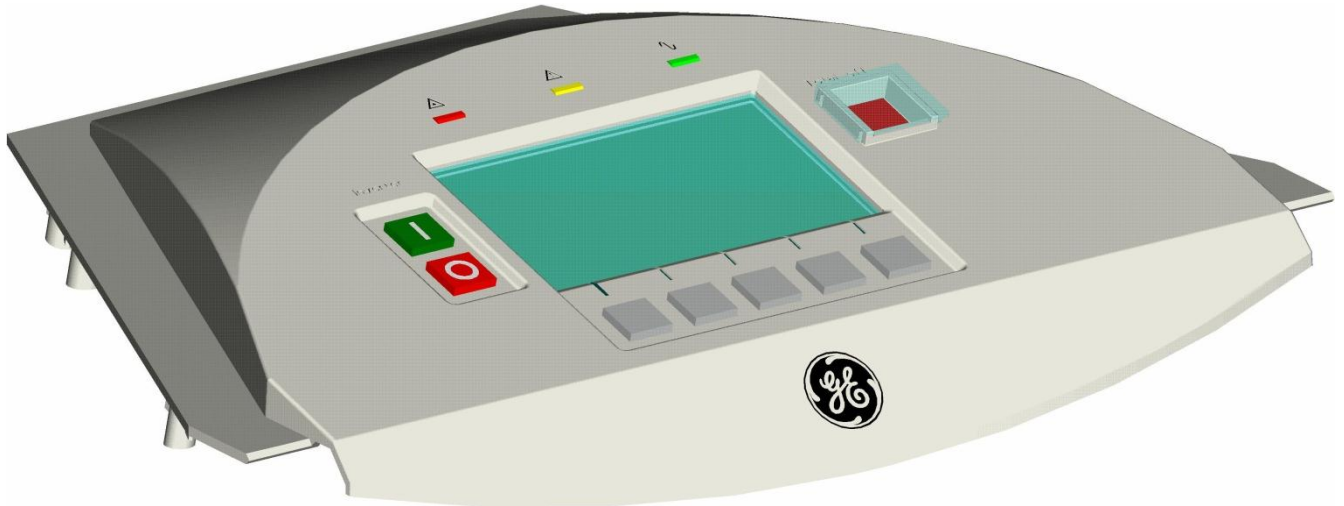
BYPASS

Input connection	- Common input (Rectifier & Bypass) - Dual input (optional)
Primary components	- Thyristors (SSM - Static Switch Module) - Electromechanic contactors (backfeed protection) on bypass and inverter - 2 manual switches for maintenance bypass
Voltage limits for inverter/bypass load transfers	+/- 10%
Overload on bypass	200% for 2 min. and 1000% for 10 ms, non repetitive

INTERFACING

Potential free contacts	- 4 - 28 user settable signals
Serial channel RS232 (on Delta 9 pin connector)	Standard
EPO (Emergency Power Off)	Standard
Extended Customer Interface Card (optional)	- Genset-On contact - 6 potential free alarm contacts - 1 auxiliary contact

Note: all indicated values are typical. Variations may be found from one unit to another.

CONTROL PANEL

The *Control Panel*, positioned on the UPS front-top, acts as the UPS user interface and comprises of the following elements:

- Back lit Graphic Display (LCD) with the following characteristics:
 - Multilanguage communication interface: English, German, Italian, Spanish, French, Finnish, Polish, Portuguese, Czech, Slovakian, Chinese, Swedish, Russian and Dutch;
 - Synoptic diagram indicating UPS status.
- Command keys and parameters setting.
- UPS status control LED.

OPTIONS**BUILT-IN UPS OPTIONS:**

1. RPA kit
2. Separate mains input (one for rectifier / one for bypass)
3. Additional battery charger

COMMUNICATION:

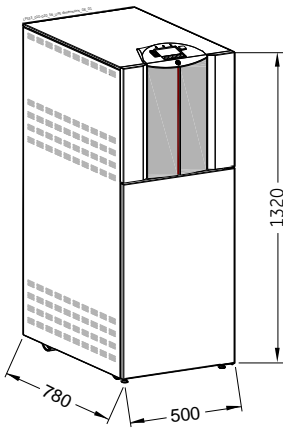
1. Customer Interface Board
2. 3-ph SNMP/WEB plug-in adapter
3. GE Power Diagnostics
4. GE Data Protection
5. Modbus RTU Interface

OPTIONS IN ADDITIONAL CABINETS:

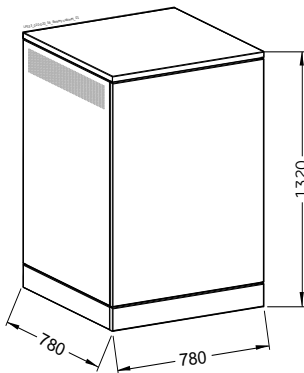
1. Battery cabinets (see page 6)
2. Battery fuse box

TECHNICAL DATA

LP33 Series 10 & 20



Battery cabinet



WEIGHT

UPS rating	UPS without battery			UPS with battery		
	UPS	UPS floor loading	UPS with st. shipping	UPS with battery	Floor loading	UPS with standard shipping
10 kVA	140 kg	359 kg/m ²	170 kg	270* - 370* kg	693* - 949* kg/m ²	300* - 400* kg
20 kVA	150 kg	385 kg/m ²	180 kg	375 kg (14 Ah)	962 kg/m ² (14 Ah)	405 kg (14 Ah)

(*) Battery 7Ah

(*) Battery 14Ah (2x7Ah)

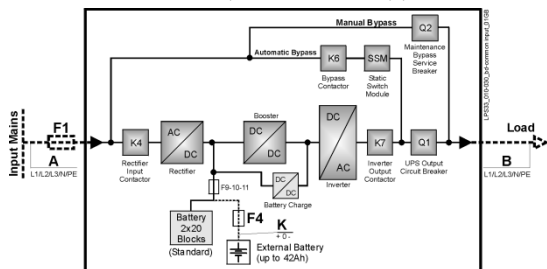
BATTERY TABLE

UPS rating	Battery capacity	Autonomy time	WEIGHT		
			Cabinet & Battery	Floor loading	Standard shipping
10 kVA	7 Ah	10 min.	Mounted inside the UPS cabinet (see WEIGHT table)		
	14 Ah (2 x 7 Ah)	25 min.	Mounted inside the UPS cabinet (see WEIGHT table)		
	21 Ah (3 x 7 Ah)	45 min.	450 kg	760 kg/m ²	480 kg
	28 Ah (4 x 7 Ah)	60 min.	570 kg	962 kg/m ²	600 kg
	35 Ah (5 x 7 Ah)	80 min.	690 kg	1164 kg/m ²	720 kg
	42 Ah (6 x 7 Ah)	100 min.	810 kg	1367 kg/m ²	840 kg
20 kVA	14 Ah (2 x 7 Ah)	10 min.	Mounted inside the UPS cabinet (see WEIGHT table)		
	21 Ah (3 x 7 Ah)	20 min.	450 kg	760 kg/m ²	480 kg
	28 Ah (4 x 7 Ah)	28 min.	570 kg	962 kg/m ²	600 kg
	35 Ah (5 x 7 Ah)	37 min.	690 kg	1164 kg/m ²	720 kg
	42 Ah (6 x 7 Ah)	45 min.	810 kg	1367 kg/m ²	840 kg

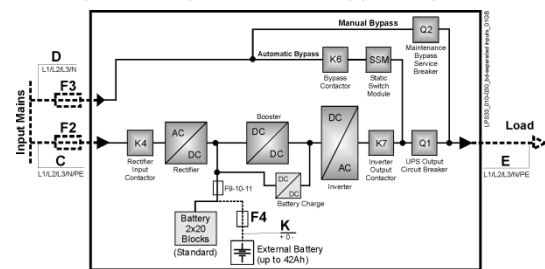
Battery autonomy time at 100% load and PF=0.8 lag., only with High Power Battery.

UPS BLOCK DIAGRAM, PROTECTIONS AND CABLE SECTIONS

Common input Rectifier & Bypass



Separated input Rectifier & Bypass (optional)



Protections and cable sections

Protections for mains voltages
3x380/220V, 3x400/230V, 3x415/240V

Fuses AgL or equivalent MTCB

kVA	F1	F2	F3	F4 (battery)
10	3 x 25 A	3 x 25 A	3 x 20 A	3 x 25 A
20	3 x 50 A	3 x 50 A	3 x 35 A	3 x 50 A

Cable sections recommended by European Standards
Alternatively, local standards to be respected

Cable sections (mm²)

A / B / C	D	E	K
5 x 4	4 x 2.5	5 x 2.5	4 x 4
5 x 10	4 x 6	5 x 6	4 x 10

Cable sections recommended in Switzerland (mm²)

kVA	A / B / C	D	E	K
10	5 x 6	4 x 4	5 x 4	4 x 6
20	5 x 16	4 x 10	5 x 10	4 x 16

F1, F2, F3, F4, A, B, C, D, E, (K): supplied by customer

K: supplied by GE only with battery

F4: can be supplied by GE Digital Energy

IMPORTANT NOTE !

The UPS is designed for TN System. The input neutral shall be grounded at source and shall never be disconnected. 4 pole breaker shall not be used at the UPS input (see also IEC 60634, IEC 61140, IEC 61557).